

WC147469E

HAMPTON ALUMINIUM TRIPLE DOOR ILLUMINATED CABINET



MATERIAL

Aluminium
Mirrored Glass Doors

FINISH / COLOUR

Satin Silver Anodised

FREQUENTLY USED APPLICATIONS

Commercial Washrooms
Hotels
Domestic Dwellings

FEATURES

- Aluminium cabinet with a double sided mirrored doors.
- Decorative LED lighting bar with rocker switch operation.
- Integrated shaver socket.
- Two adjustable toughened glass shelves.
- 180 degree pivot door hinges for increased accessibility.
- Supplied fully assembled for ease of installation.
- Easy to install Hang 'n' Lock system.
- IP44 rated, suitable for use in the outside bathroom zone.
- All fixtures and fittings included.

PERFORMANCE STANDARDS


Meets Performance Requirements Of Service Condition 2.

BS EN ISO 9221:2017 - Corrosion Resistant (NSS 48hr Salt Spray, Min. Grade9).

Certified to:

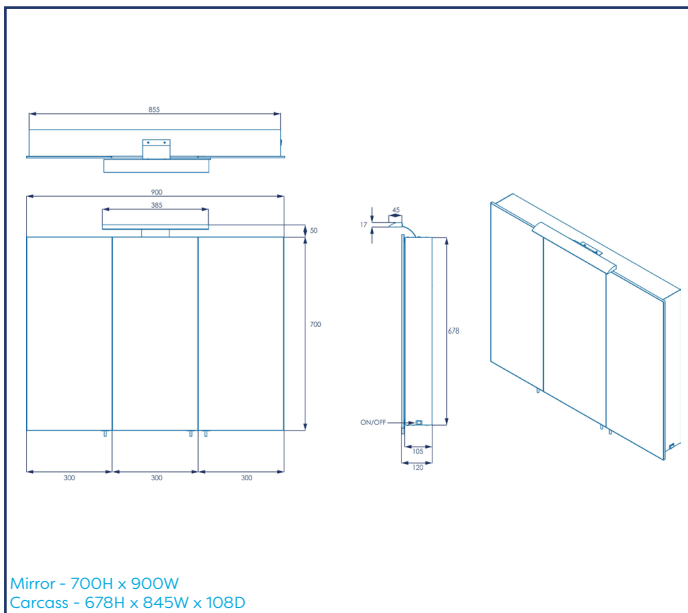
LVD - BS EN 60598-1:2015

EMC - BS EN 55015:2013, BS EN 61000-3-2:2014, BS EN 61000-3-3:2013, BS EN 61547:2009

INPUT VOLTAGE: 220 - 240 Vac 50Hz 
SHAVER SOCKET: 220 - 240Vac 20VA Max
LED LAMP: 12 Vdc 5W Warm White ≤ 4000K

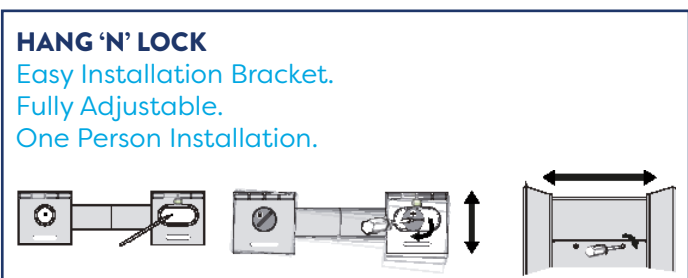
CARE AND MAINTENANCE

Clean surfaces with a damp cloth and wipe dry using a soft cloth.
Do not use chemical or abrasive cleaners as these may damage the surface finish.



GUARANTEE

Consumer Statutory Rights Apply



Printed material, designs and packaging are protected by copyright and design rights.